

RH5 SERIES

High Voltage Relays

3.5kV SYSTEM VOLTAGE

Make Only Load Switching



FEATURES

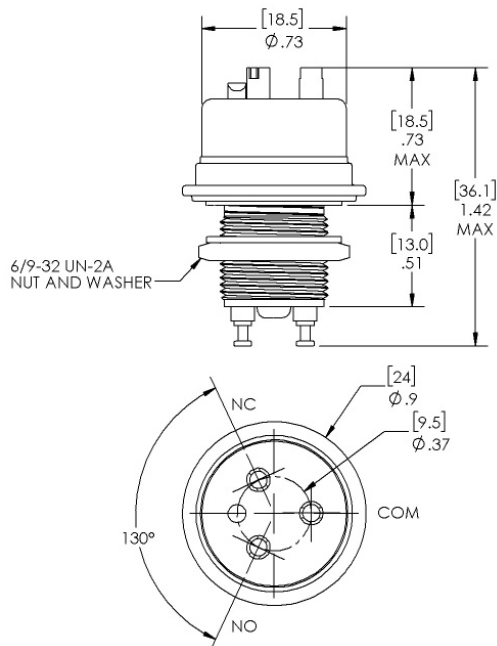
- Form C, SPDT
- Optimized for capacitive discharge applications
- Good fit for safety dump switch applications
- Compact Design
- Molybdenum / Tungsten contacts
- Meets RoHS 2011/65/EU



PERFORMANCE

TABLE 1. SPECIFICATIONS		
CHARACTERISTIC	MEASURE	
Contact Arrangement	Form C, SPDT	
Contact Material	Molybdenum / Tungsten	
Max Operating Voltage (Peak, between Contacts and Contacts to Base) (Max Leakage Current: 15 μ A)	3.5 kV dc or 60Hz	
Max Test Voltage (Peak, between Contacts and Contacts to Base) (Max Leakage Current: 15 μ A)	5.0 kV dc or 60Hz	
Continuous Current, Max dc or 60Hz	8A	
Load Switching (Make and Break)	Consult Factory	
Coil Hi-Pot (V RMS, 60Hz)	500V	
Contact Resistance (Max)	0.50 ohm @ 1A	
Operate Time (Max, incl bounce)	6ms	
Release Time (Max)	6ms	
Shock, Operating, 1/2 Sine, 11ms	50G	
Vibration, Operating, Sine (55-2,000Hz)	10G	
Operating Temperature	-55°C to 125°C	
Mechanical life	2,000,000 cycles	
Weight	28 g	
COIL (25° C)	MEASURE	
Nominal Voltage (Vdc)	12	26.5
Pick-up Voltage, Max (Vdc)	8	16
Drop-out Voltage (Vdc)	0.5-5	1.0-10
Coil Resistance	80 Ω	335 Ω

PRODUCT DIMENSIONS [mm]



ORDERING KEY

TABLE 2. PRODUCT NOMENCLATURE	
Series	COIL
RH5	Blank = 26.5Vdc -12V = 12Vdc

NOTES

- Relay is operated by a coil that changes resistance with temperature: Maximum coil voltage will be lower than indicated at temperatures above 25°C, and higher than indicated at temperatures below 25°C.
- Nominal Coil Voltage for Pick-up Current, Coil Current and Coil Power specifications, Current/Wattage will be lower than indicated at temperatures above 25°C and higher than indicated at temperatures below 25°C.
- Pick-up Voltage and Drop Out Voltage will be lower than indicated at temperatures below 25°C and higher than indicated at temperatures above 25°C.

Legal Disclaimer Notice for Rincon Power, LLC Datasheet

This legal disclaimer applies to purchasers and users of products manufactured by or on behalf of Rincon Power, LLC (“Rincon”). Unless otherwise expressly indicated in writing, Rincon’s products, product specifications and data sheets relating thereto are subject to change without notice. Users should check for and obtain the latest revision information and verify that such information is current and complete before placing orders for Rincon’s products. Users should always verify the actual performance of the Rincon’s products in their specific systems and applications.

Except as expressly set forth in the relevant purchaser order terms and conditions or applicable agreement, Rincon makes no warranty, representation or guarantee regarding the products, expressed or implied, including, but not limited to, a warranty of merchantability or fitness for a particular purpose. To the maximum extent permitted by applicable law, Rincon disclaims (i) any and all liability arising out of the application or use of any product, (ii) any and all liability, including without limitation special, consequential or incidental damages, and (iii) any and all implied warranties, including warranties of fitness for particular purpose, non-infringement and merchantability.

In no event shall Rincon be liable for any incidental or consequential damages resulting from the use, misuse or inability to use the product. This exclusion applies regardless of whether such damages are sought based on breach of warranty, breach of contract, negligence, strict liability in tort, or any other legal theory.