

RXX50 SERIES

High Voltage Contactors

500A CONTINUOUS DUTY

1000Vdc SYSTEM VOLTAGE

PRELIMINARY



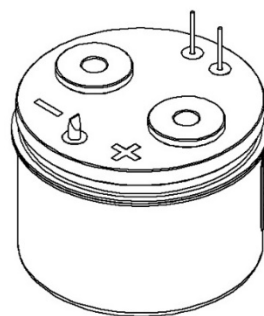
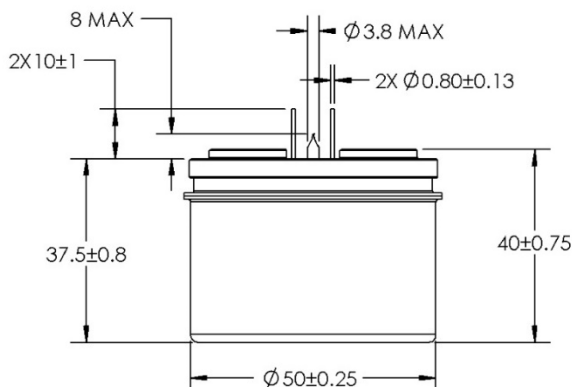
FEATURES

SPST Normally Open High Voltage Contactors

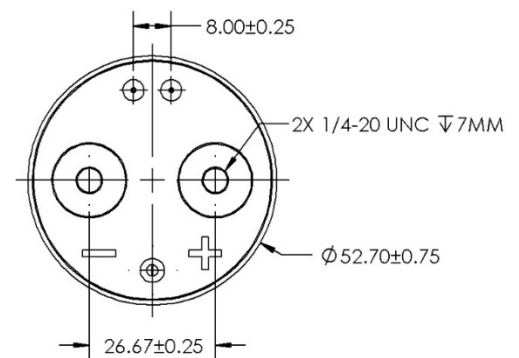
- *Hermetic Ceramic Seal* with gas fill for superior carry and switching performance
- World's Smallest and Lightest Contactor with a 3MWatt Interrupt Rating (1000V/3kA).
- *Ultra-Low Contact Resistance*
- Patent Pending *Fast Break Arc Technology*
- Meets RoHS 2011/65/EU
- IEC60947-4-1 compliant
- Efficient PWM coil (external)

TABLE 1. DIMENSIONAL AND INSTALLATION

CHARACTERISTIC	MEASURE
Weight	0.661 lb, [300g ±10g]
Mounting Position	Any / Not Position Sensitive
Package Quantity	20 pcs
Install Torque, 2X M8 Main Terminals	80-88 in-lb, [9-10Nm]



TRIMETRIC VIEW

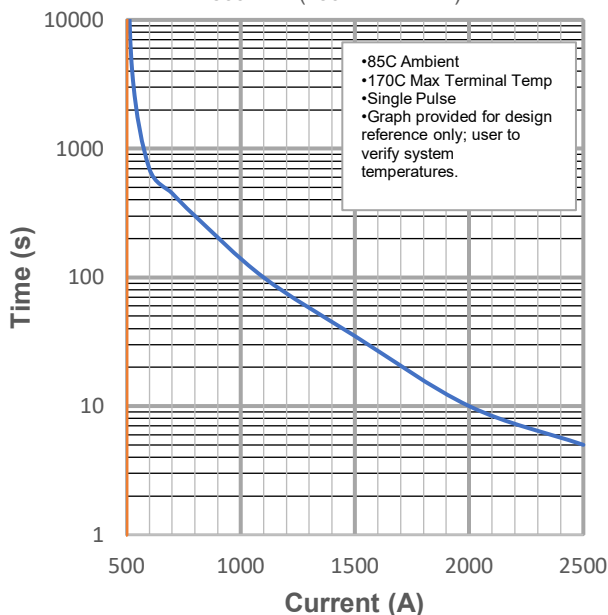


PERFORMANCE

TABLE 2. SPECIFICATIONS

CHARACTERISTIC	MEASURE
Contact Arrangement	Form X, SPST- NO
Max Switching Voltage ²	1000 Vdc
Dielectric Withstand Voltage (Leakage <1mA)	Between Open Contacts
	Between Contacts and Coil
Mechanical Life	2200 VRMS (60 sec)
Continuous Current (150mm ² conductor) ⁵	300,000 cycles
Overload Current	500A
Make and Break	See Momentary Current Carry graph
Min Insulation Resistance	See DC Power Switching graph
Contact Resistance (Max) measured at 200A	100 MΩ @ 1,000V (50 MΩ at end of life)
(Typical) measured at 200A	0.15mΩ
Operate Time (Max, incl bounce)	0.8-.1mΩ
Release Time (Max)	25ms
Shock - Functional, 1/2 Sine, 11ms	10ms
Shock - Destructive, 1/2 Sine, 11ms	20 G Peak
Vibration, Sinusoidal (500-2000 Hz Peak)	50 G Peak
Operating Temperature	15G
Sealed Contacts	-40°C to 85°C (170° max terminal temperature)
Salt Fog	Exceeds IP69K (hermetically sealed)
	MIL-STD-810
PWM ECONOMIZED COIL (20°C)	MEASURE
Nominal Voltage	12V
Max Voltage	16V
Pick-up Voltage ³	≥9.5V
Drop-out Voltage	≤5V
Inrush Current, Max (80 ms)	4.0A
Coil Current	1.1A
Coil Power, HOLD (5v)	5.5 W
Coil Resistance	3.5-4.0 Ω

Momentary Current Carry
300mcm (150mm² busbar)



Estimated DC Power Switching Cycles
(Resistive Load)

